

MODEL / PRODOTTO

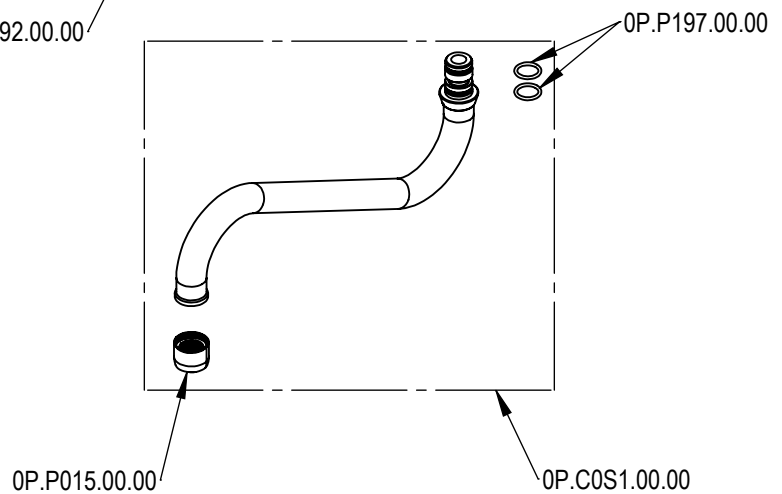
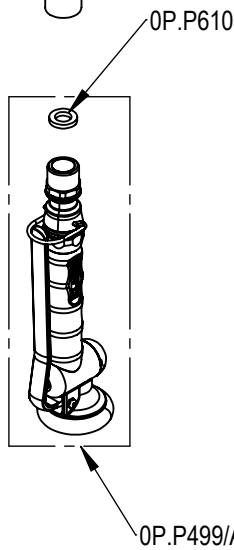
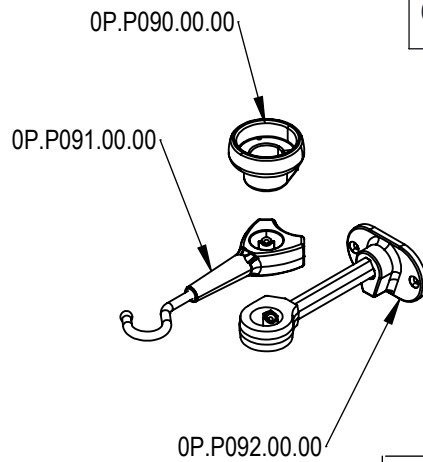
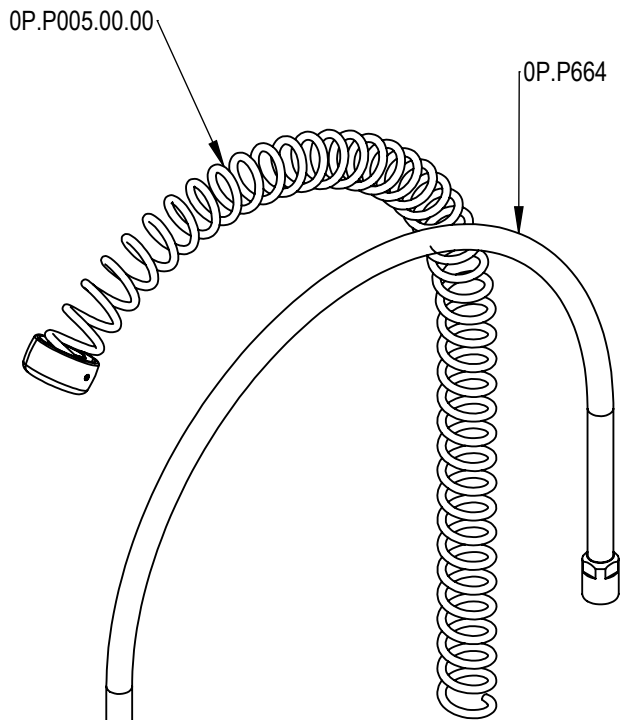
3S.4101.19N.KC9

PRODUCT COMPLIANCE:

REACH 1907/2006;
BWGL UBA verified by DVGW CERT third-party

TITLE / DESCRIZIONE

STYL Pre-Rinse Unit with add-on faucet with 250mm swivel nozzle (Ø 20mm) with double hole (135-175mm adjustable center distance) wall mount mixing faucet. Brass, chrome plated. G1/2" male inlets with check valves. Riser pipe in stainless steel. BLACK details. K9e handles, 1/2" ceramic headworks. Spray Valve P499/N.

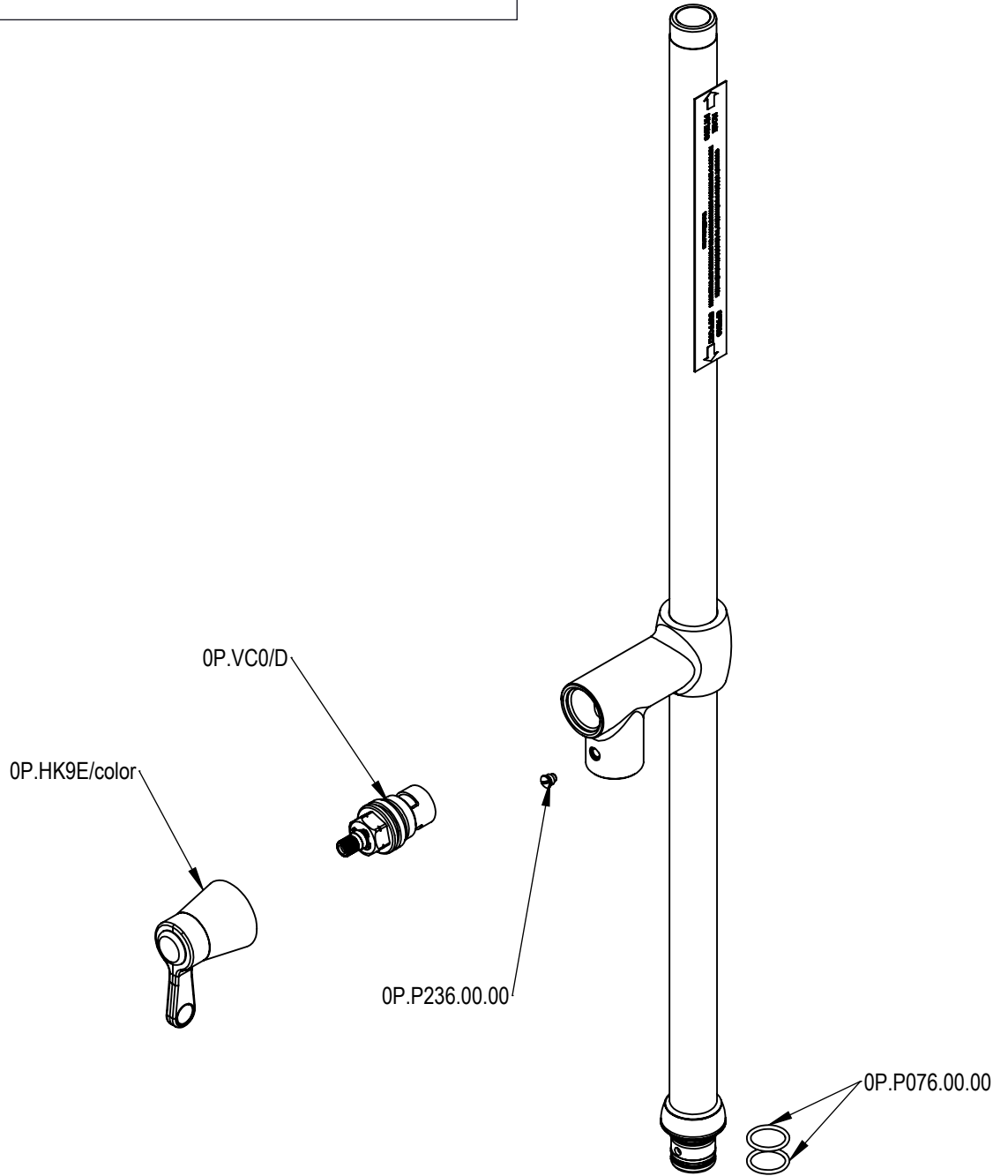


| SALES NO. | DESCRIPTION |
|---------------|---|
| 0P.P005.00.00 | Spring for EUROP/STYL pre-rinse units. GREY coating with BLACK spring support |
| 0P.P664 | L.110cm F1/2"xF1/2" FLEXIBLE HOSE |
| 0P.P090.00.00 | STYL Spring Support - BLACK |
| 0P.P091.00.00 | STYL Spray Gun Hook - BLACK |
| 0P.P092.00.00 | STYL Wall Bracket, L.115 mm - BLACK |
| 0P.P610 | FLAT GASKET 1/2" Ø18,5x11 sp.3mm |
| 0P.P499/A | Spray Valve for STYL Pre-Rinse Units - BLUE |
| 0P.P015.00.00 | Aerator F22x1 for Ø20 spout |
| 0P.C0S1.00.00 | STYL 20x250x70 S-shaped spout for Add On Tap |
| 0P.P197.00.00 | O-RING 14.00x2.00mm EP70P.A (4270) PEROX |

TITLE / DESCRIZIONE

Pre-Rinse Unit, spray valve, supports, and swivel nozzle SPARE PARTS

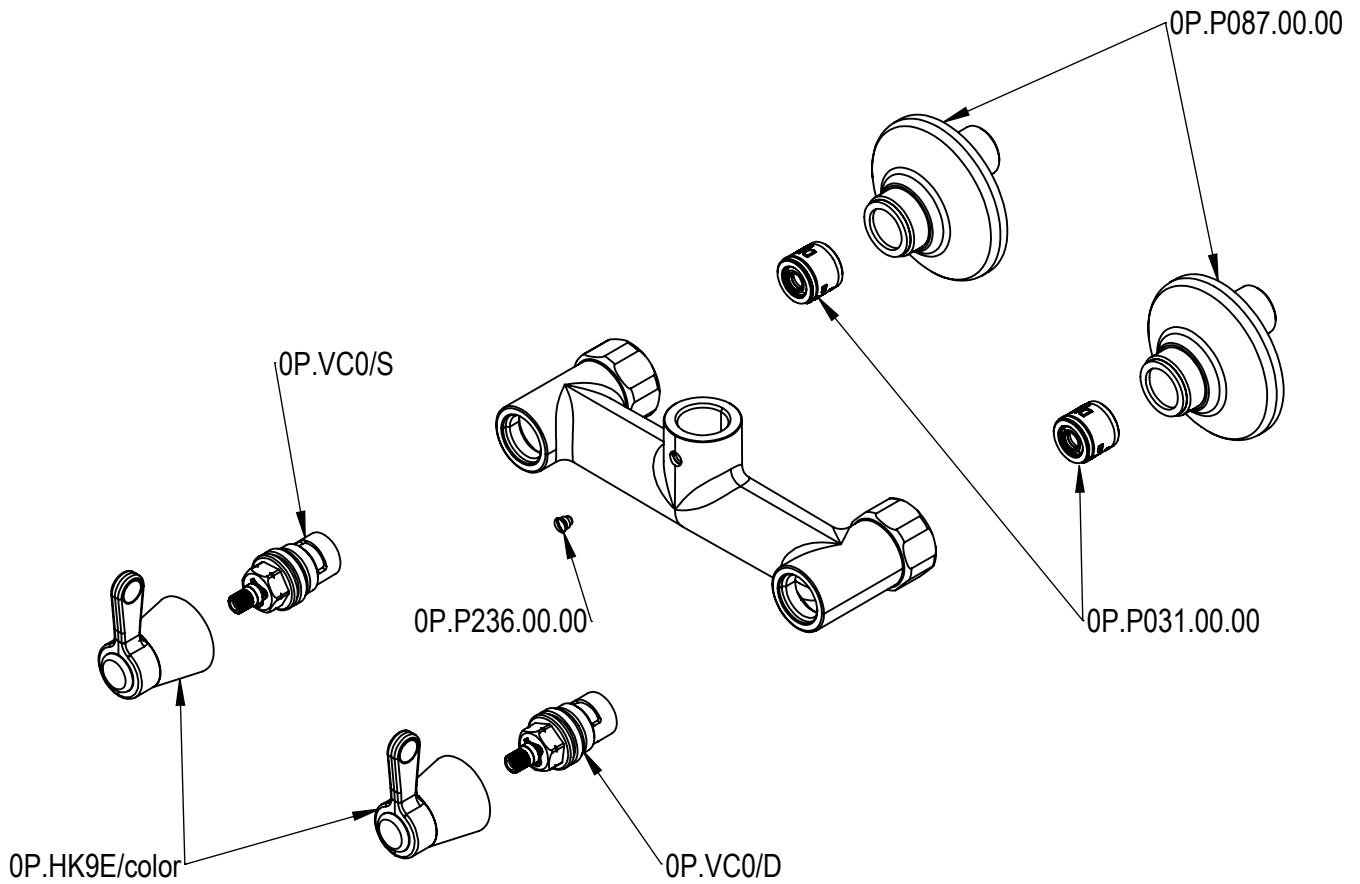
| SALES NO. | DESCRIPTION |
|---------------|---|
| 0P.VC0/D | 1/2" ceramic headwork (8x20) (right) |
| 0P.HK9E/color | K9e handle 8x20 (specify the color) |
| 0P.P236.00.00 | Spout Screw (short) |
| 0P.P076.00.00 | O-RING 2062 (Ø15.6x1.78), EPDM 70 PEROX |



TITLE / DESCRIZIONE

0P.P266.00.KC9 STYL Riser Pipe with add on tap, K9e handle, without nozzle - SPARE PARTS

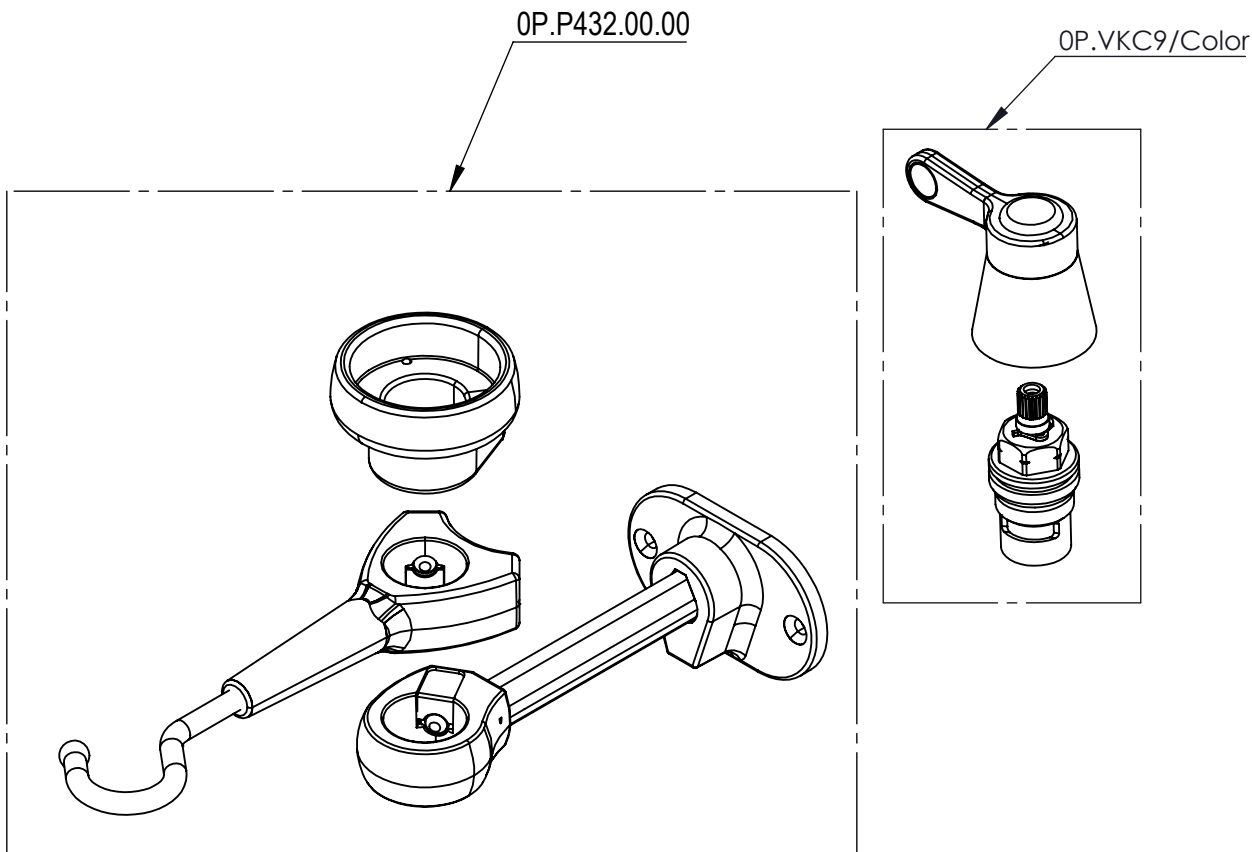
| SALES NO. | DESCRIPTION |
|---------------|--|
| 0P.P087.00.00 | STYL Eccentric fittings 3/4"x1/2" with rosette |
| 0P.P031.00.00 | Check valve DW20-DN15 |
| 0P.VC0/S | 1/2" ceramic headwork (8x20) (left) |
| 0P.VC0/D | 1/2" ceramic headwork (8x20) (right) |
| 0P.P236.00.00 | Spout Screw (short) |
| HK9E/color | K9e handle 8x20 (specify the color) |



TITLE / DESCRIZIONE

BODY FAUCET, INLETS AND HANDLES SPARE PARTS

| SALES NO. | DESCRIPTION |
|---------------|---|
| 0P.P432.00.00 | Wall-bracket (L.115mm), Spray-Gun Hook and Spring Support for STYL Pre-RInse Unit (BLACK) |
| 0P.VKC9/Color | Kit: ceramic headwork 1/2 with K9e handle (Specify color) |



TITLE / DESCRIZIONE

REPLACEMENT KIT