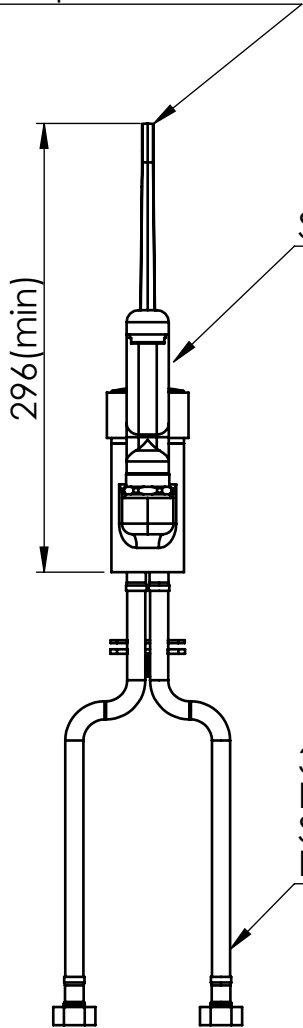
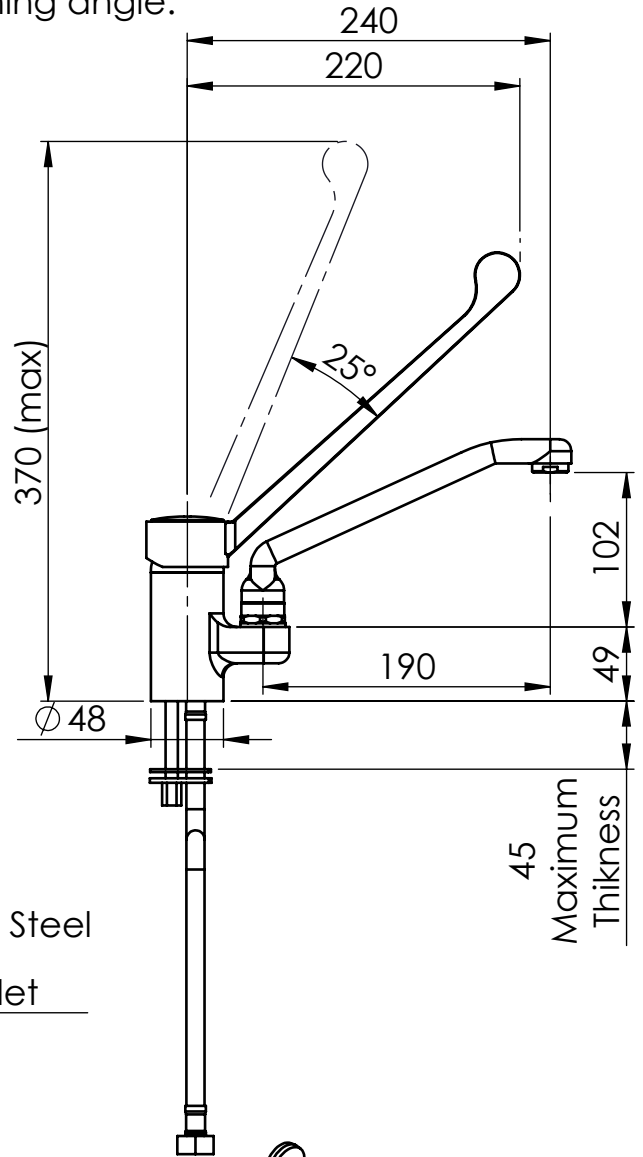


Lever opening angle:  
0-25°

Elbow-Operated Lever



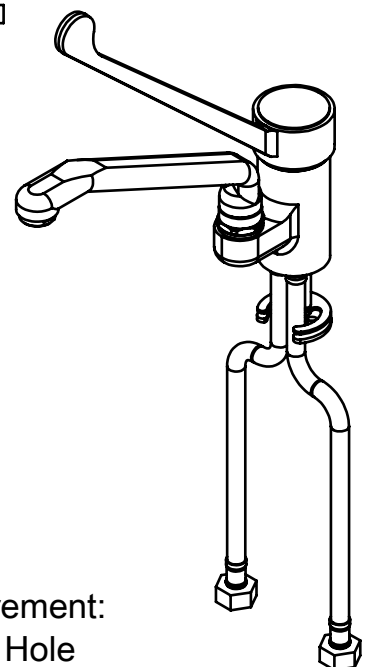
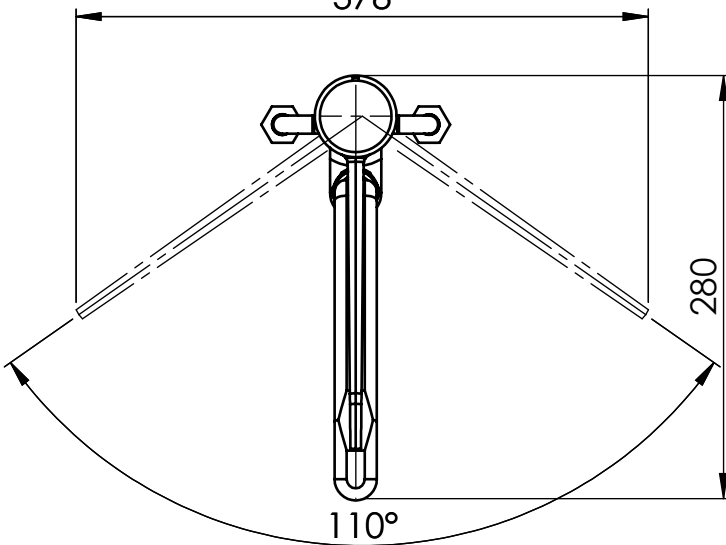
Swivel Nozzle



350mm  
Flexible Stainless Steel  
Supply Hoses  
Female G1/2" inlet

45  
Maximum  
Thickness

378



Rough-In Requirement:  
35mm Mounting Hole

TITLE / DESCRIZIONE

Single hole, deck-mount with 220mm long Sanitary Lever mixing faucet with 190mm swivel nozzle, G1/2" female inlets, ceramic cartridge, brass, chrome plated, Sanitary Lever – fiber glass reinforced Polyamide.

DRN / DIS

CHD / VER

APPR

SCALE /  
SCALA

1:5

DATE /  
DATA

05/06/2020

SHEET /  
PAG

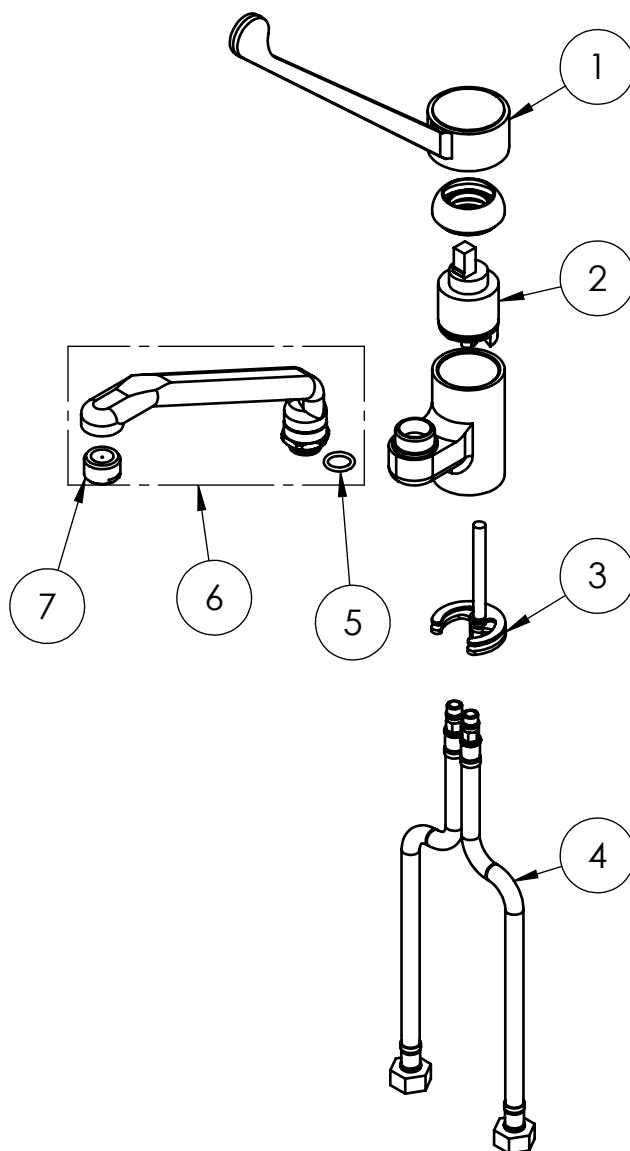
1 of 2

NUMBER / CODICE DIS.

MODEL / PRODOTTO

1S.2960.45.92

ITEM NO.	SALES NO.	DESCRIPTION
1	H002	ELBOW OPERATED GRAY LEVER (L.220mm)
2	V090	CARTRIDGE Ø40mm W.DISTR.
3	P348	FIXING KIT 2960
4	F011	L.35cm Flex S.S. Hose Ø12-DN8 Female G1/2" (C)
5	P205	O-RING Ø15.10x2.70 EPDM
6	C045	SWING NOZZLE 190 h.100
7	P065	FLOW REGULATOR M24x1



<b>TITLE / DESCRIZIONE</b> Single hole, deck-mount with 220mm long Sanitary Lever mixing faucet with 190mm swivel nozzle, G1/2" female inlets, ceramic cartridge, brass, chrome plated, Sanitary Lever – fiber glass reinforced Polyamide.	DRN / DIS	CHD / VER	APPR
	SCALE / SCALA 1:5	DATE / DATA 05/06/2020	SHEET / PAG 2 of 2
Questo disegno contiene informazioni di proprietà di KLARCO S.R.L. e senza la sua autorizzazione scritta non può essere copiato, mostrato o ceduto a terzi o in qualsiasi altro modo usato	NUMBER / CODICE DIS.	MODEL / PRODOTTO <b>1S.2960.45.92</b>	