

AISI 304 stainless steel case & wall bracket

NPS10 x 10m Hototal EPDM rubber hose

G1/2" male inlet for water entry (left side) with built in check valve

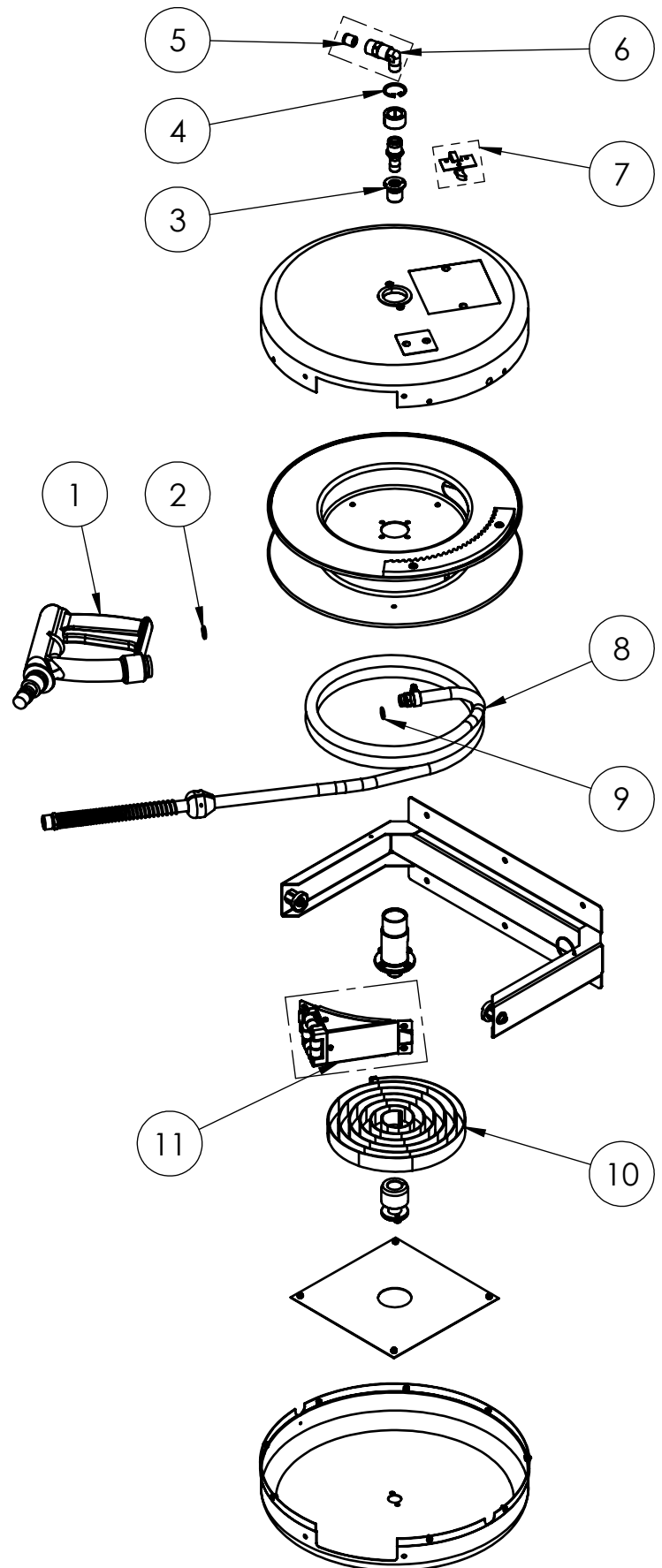
"NITO II" adjustable flow spray gun

**PRODUCT COMPLIANCE:**

2006/42/EC  
CE n. 1907/2006 Regulations  
Directive 2002/95/CE; 2018/851SCIP

TITLE / DESCRIZIONE MAXIReel. Automatic, wall mount, swivel hose reel with 10m (NPS10) Hototal EPDM retractable hose. Heavy duty "NITO II" COMBI spray gun with adjustable flow. G1/2" male inlet with built in check valve. AISI 304 stainless steel case and wall bracket.	DRN / DIS <b>E.Artini</b>	CHD / VER	APPR
	SCALE / SCALA 1:12	DATE / DATA 22/06/22	SHEET / PAG 1 of 2
This drawing contains proprietary information which is the property of KLARCO S.R.L. without whose written permission it may not be copied, shown or handed to a third party or otherwise used	Questo disegno contiene informazioni di proprietà di KLARCO S.R.L. e senza la sua autorizzazione scritta non può essere copiato, mostrato o ceduto a terzi o in qualsiasi altro modo usato	NUMBER / CODICE DIS. <b>5R.M10.449</b>	MODEL / PRODOTTO <b>5R.M10.449</b>

ITEM NO.	SALES NO.	DESCRIPTION
1	P449	"NITO II" SPRAY GUN, female G1/2"
2	P074	FLAT GASKET 1/2" Ø18,5x11 sp.2mm
3	P333	BUSHING+O-RINGS
4	P206	JS SEEGER-RING (HEAVY DUTY) DIN 472
5	P030	CHECK VALVE DW15/DN10
6	P203	90° COUPLING + CHECK VALVE
7	P273	PLATE WITH SPRING AND PAWL
8	F136	NPS10 x 10m hose replacement kit
9	P097	O-RING 2056 (Ø14x1.78), EPDM70 PEROX
10	P201	M10 REEL SPRING
11	P350	M10 ROLLER REPAIR KIT



### PRODUCT COMPLIANCE:

2006/42/EC  
CE n. 1907/2006 Regulations  
Directive 2002/95/CE; 2018/851SCIP

TITLE / DESCRIZIONE	DRN / DIS	CHD / VER	APPR
MAXIReel. Automatic, wall mount, swivel hose reel with 10m (NPS10) Hototal EPDM retractable hose. Heavy duty "NITO II" COMBI spray gun with adjustable flow. G1/2" male inlet with built in check valve. AISI 304 stainless steel case and wall bracket.	E.Artini		
	SCALE / SCALA	DATE / DATA	SHEET / PAG
	1:10	22/06/22	2 of 2
This drawing contains proprietary information which is the property of KLARCO S.R.L. without whose written permission it may not be copied, shown or handed to a third party or otherwise used	Questo disegno contiene informazioni di proprietà di KLARCO S.R.L. e senza la sua autorizzazione scritta non può essere copiato, mostrato o ceduto a terzi o in qualsiasi altro modo usato	NUMBER / CODICE DIS.	MODEL / PRODOTTO
			5R.M10.449