

AISI 304 stainless steel case & wall bracket

NPS10 x 15m Hototal EPDM rubber hose

G1/2" Male Inlet for water entry (Left side) with built in check valve

"NITO I" adjustable flow spray gun

### PRODUCT COMPLIANCE:

2006/42/EC

CE n. 1907/2006 Regulations

Directive 2002/95/CE; 2018/851SCIP

### TITLE / DESCRIZIONE

MAXIReel. Automatic, wall mount, swivel hose reel with 15m (NPS 10), Hototal EPDM retractable hose. Heavy duty "NITO I" COMBI spray gun with adjustable flow. G1/2" male inlet with built in check valve. AISI 304 stainless steel case and wall bracket.

DRN / DIS

E.Artini

CHD / VER

APPR

SCALE / SCALA

1:12

DATE / DATA

23/06/22

SHEET / PAG

1 of 2

This drawing contains proprietary information which is the property of KLARCO S.R.L. without whose written permission it may not be copied, shown or handed to a third party or otherwise used

Questo disegno contiene informazioni di proprietà di KLARCO S.R.L. e senza la sua autorizzazione scritta non può essere copiato, mostrato o ceduto a terzi o in qualsiasi altro modo usato

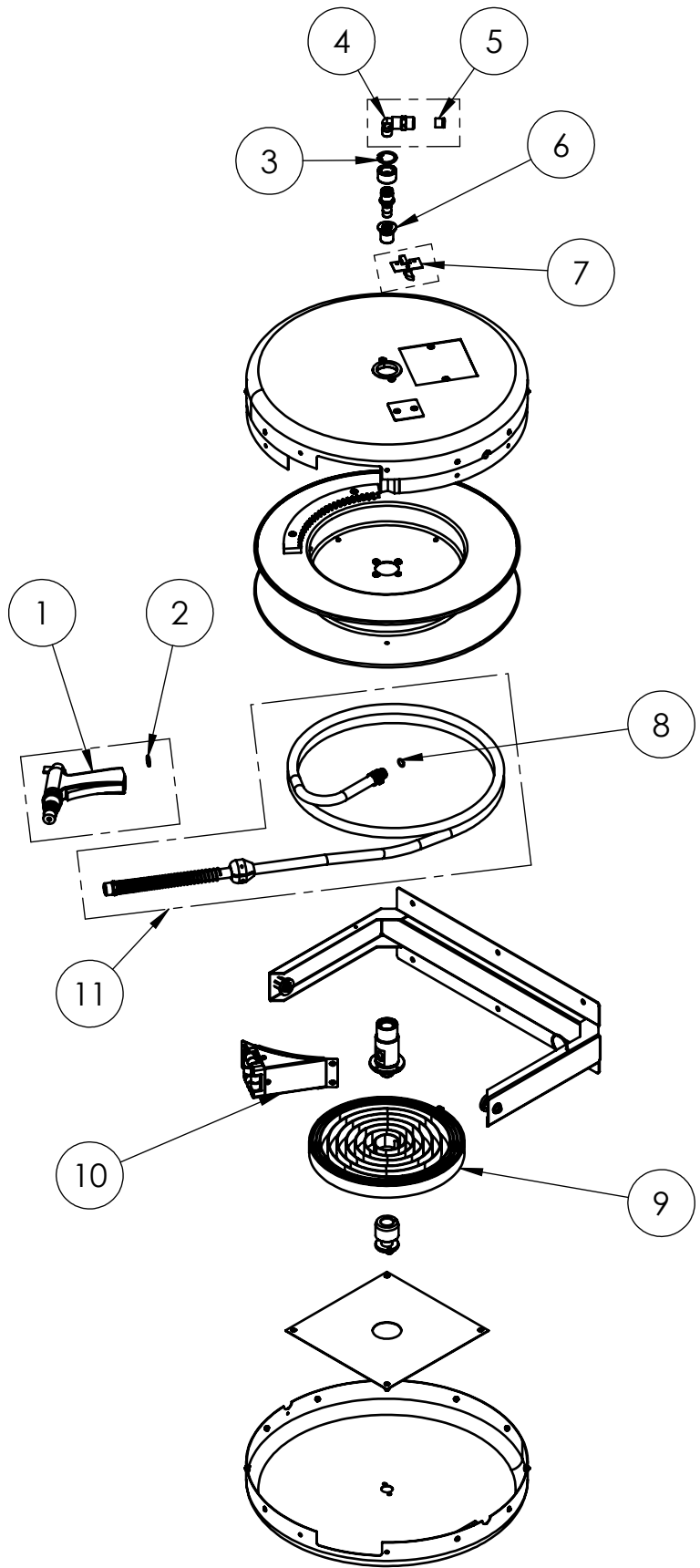
NUMBER / CODICE DIS.

MODEL / PRODOTTO

5R.M15.448

A4V

ITEM NO.	SALES NO.	DESCRIPTION
1	P448	"NITO I" SPRAY GUN "Female G1/2"
2	P074	FLAT GASKET 1/2" Ø18,5x11 sp.2mm
3	P206	JS SEEGER-RING (HEAVY DUTY) DIN 472
4	P203	90° COUPLING + CHECK VALVE
5	P030	CHECK VALVE DW15/DN10
6	P333	BUSHING+O-RINGS
7	P273	RATCHET REPAIR KIT
8	P161	O-Ring 114 (Ø11,11x1,78mm) EP70P.A PEROX
9	P223	M15-M20 REEL SPRING
10	P387	M15-20 ROLLER REPAIR KIT
11	F135	NPS10x15m HOSE REPLACEMENT KIT



**PRODUCT COMPLIANCE:**

2006/42/EC

CE n. 1907/2006 Regulations

Directive 2002/95/CE; 2018/851SCIP

TITLE / DESCRIZIONE

MAXIReel. Automatic, wall mount, swivel hose reel with 15m (NPS 10), Hototal EPDM retractable hose. Heavy duty "NITO I" COMBI spray gun with adjustable flow. G1/2" male inlet with built in check valve. AISI 304 stainless steel case and wall bracket.

DRN / DIS

E.Artini

CHD / VER

APPR

SCALE / SCALA

1:12

DATE / DATA

23/06/22

SHEET / PAG

2 of 2

NUMBER / CODICE DIS.

MODEL / PRODOTTO

5R.M15.448

A4V

This drawing contains proprietary information which is the property of KLARCO S.R.L. without whose written permission it may not be copied, shown or handed to a third party or otherwise used

Questo disegno contiene informazioni di proprietà di KLARCO S.R.L. e senza la sua autorizzazione scritta non può essere copiato, mostrato o ceduto a terzi o in qualsiasi altro modo usato