

AISI 304 Stainless Steel
Case & Wall Bracket

NPS10 x 20m
Hototal EPDM
Rubber Hose

G1/2" Male Inlet
for water entry
(Left side)

"NITO I"
Adjustable Flow
Spry Gun

PRODUCT COMPLIANCE:

ROHS 2002/95/CE;
REACH 1907/2006;
2006/42/EC;

ONLY FOR HOSE:

FDA

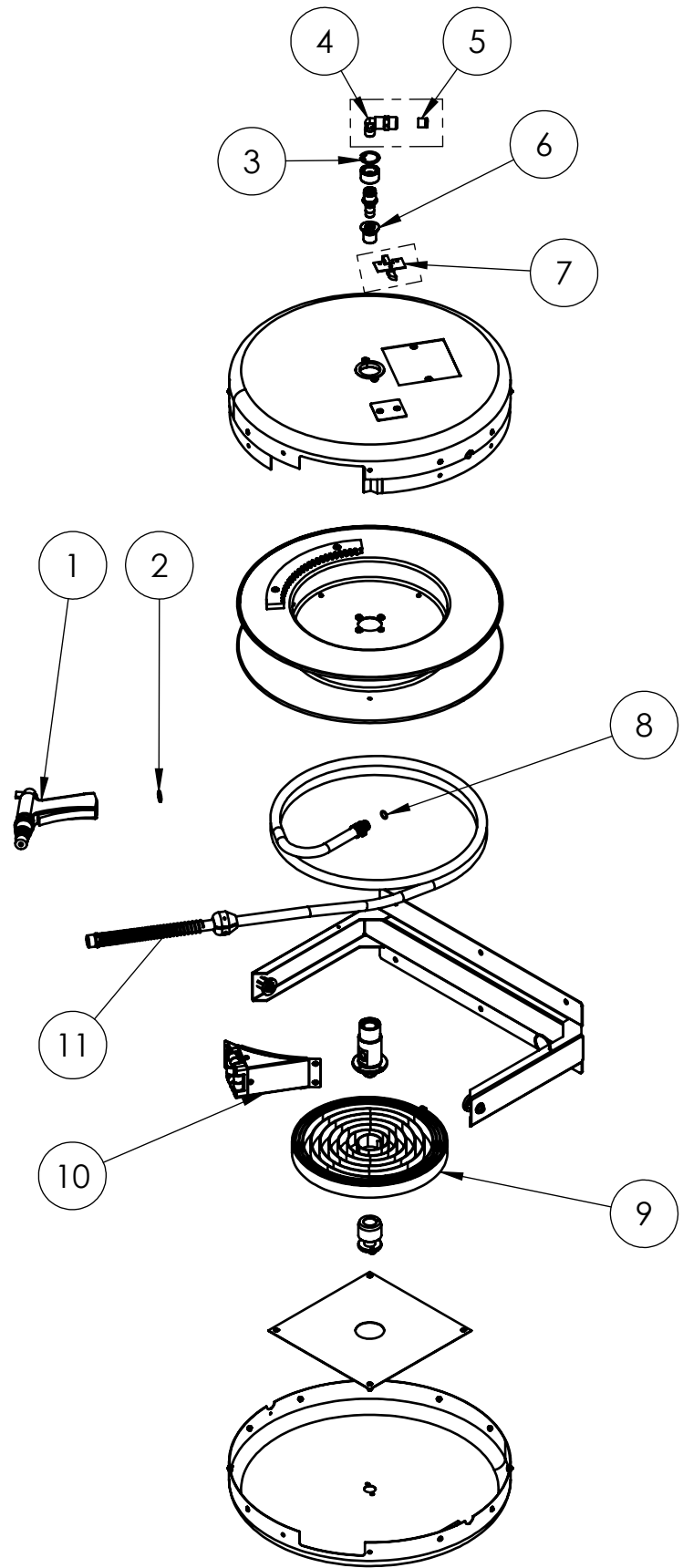
TITLE / DESCRIZIONE
MAXIReel. Automatic wall mount swivel hose reel, with 20m (NPS10) HOTOTAL EPDM retractable hose. Heavy duty NITO I COMBI spray gun with adjustable flow. G1/2" male inlet with built in check valve. AISI 304 stainless steel case and wall bracket.

DRN / DIS E.Artini	CHD / VER	APPR
SCALE / SCALA 1:12	DATE / DATA 16/06/22	SHEET / PAG 1 of 2
NUMBER / CODICE DIS.	MODEL / PRODOTTO 5R.M20.448	

This drawing contains proprietary information which is the property of KLARCO S.R.L. without whose written permission it may not be copied, shown or handed to a third party or otherwise used

Questo disegno contiene informazioni di proprietà di KLARCO S.R.L. e senza la sua autorizzazione scritta non può essere copiato, mostrato o ceduto a terzi o in qualsiasi altro modo usato

ITEM NO.	SALES NO.	DESCRIPTION
1	P448	NITO1 w.Female G1/2" fitting
2	P074	FLAT GASKET 1/2" Ø18,5x11 sp.2mm
3	P206	JS SEEGER-RING (HEAVY DUTY) DIN 472
4	P203	90° COUPLING + CHECK VALVE
5	P030	CHECK VALVE DW15/DN10
6	P333	BUSHING+O-RINGS
7	P273	PLATE WITH SPRING AND PAWL
8	P161	O-Ring 114 (Ø11,11x1,78mm) EP70P.A PEROX
9	P223	M15-M20 REEL SPRING
10	P387	M15-20 ROLLER REPAIR KIT
11	F134	DN10 x 20m Hose Replacement Kit



PRODUCT COMPLIANCE:

ROHS 2002/95/CE;
REACH 1907/2006;
2006/42/EC;

ONLY FOR HOSE:

FDA

TITLE / DESCRIZIONE
MAXIReel. Automatic wall mount swivel hose reel, with 20m (NPS10) HOTOTAL EPDM retractable hose. Heavy duty NITO I COMBI spray gun with adjustable flow. G1/2" male inlet with built in check valve. AISI 304 stainless steel case and wall bracket.

DRN / DIS

E.Artini

CHD / VER

APPR

SCALE / SCALA
1:12

DATE / DATA
16/06/22

SHEET / PAG
2 of 2

NUMBER / CODICE DIS.

MODEL / PRODOTTO

5R.M20.448

A4V

This drawing contains proprietary information which is the property of KLARCO S.R.L. without whose written permission it may not be copied, shown or handed to a third party or otherwise used

Questo disegno contiene informazioni di proprietà di KLARCO S.R.L. e senza la sua autorizzazione scritta non può essere copiato, mostrato o ceduto a terzi o in qualsiasi altro modo usato