

AISI 304 stainless steel case & wall bracket

NPS10 x 20m Hototal EPDM rubber hose

G1/2" male inlet for water entry (Left side) with built in check valve

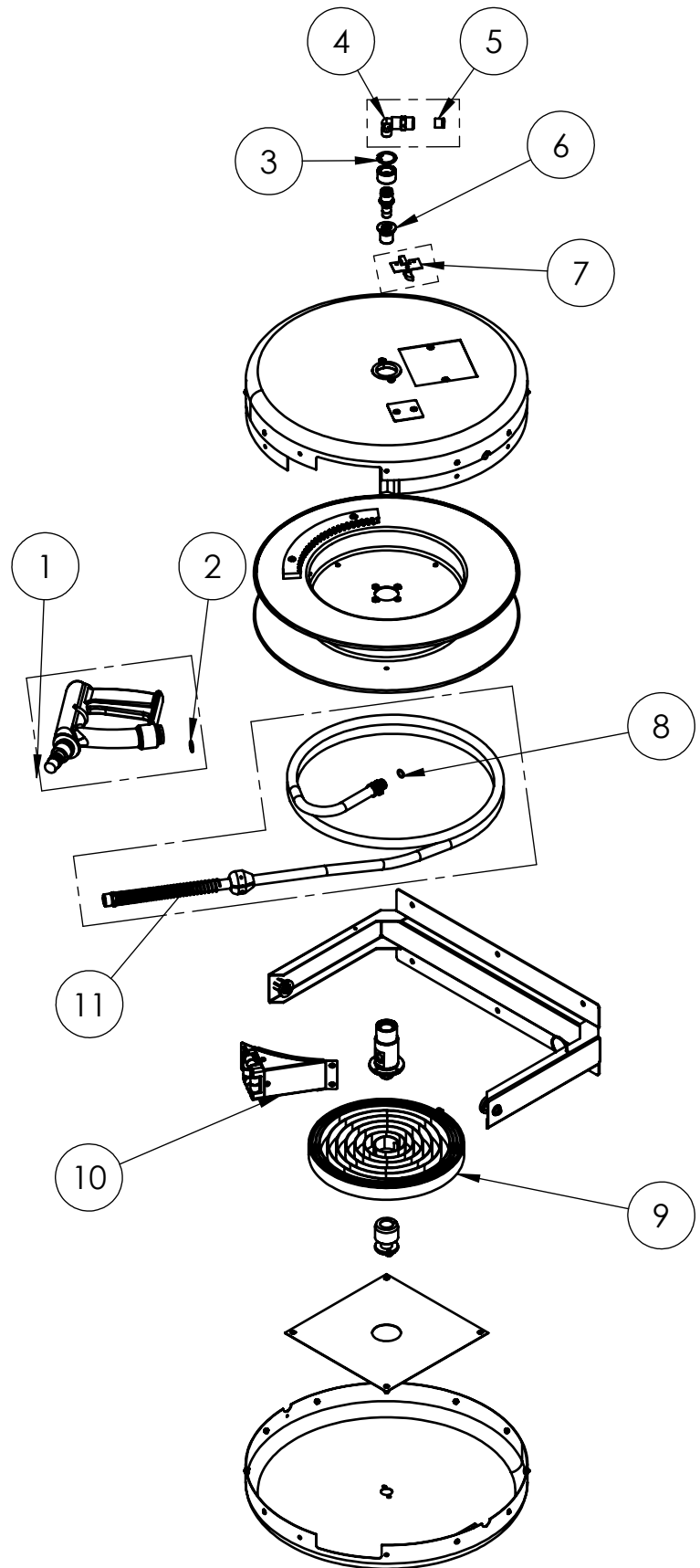
"NITO II" adjustable flow spray gun

PRODUCT COMPLIANCE:

2006/42/EC
CE n. 1907/2006 Regulations
Directive 2002/95/CE; 2018/851SCIP

TITLE / DESCRIZIONE	DRN / DIS	CHD / VER	APPR
MAXIReel. Automatic, wall mount, swivel hose reel with 20m (NPS 10), Hototal EPDM retractable hose. Heavy duty "NITO II" COMBI spray gun with adjustable flow. G1/2" male inlet with built in check valve. AISI 304 stainless steel case and wall bracket.	E.Artini		
	SCALE / SCALA	DATE / DATA	SHEET / PAG
	1:12	23/06/22	1 of 2
This drawing contains proprietary information which is the property of KLARCO S.R.L. without whose written permission it may not be copied, shown or handed to a third party or otherwise used	Questo disegno contiene informazioni di proprietà di KLARCO S.R.L. e senza la sua autorizzazione scritta non può essere copiato, mostrato o ceduto a terzi o in qualsiasi altro modo usato	NUMBER / CODICE DIS.	MODEL / PRODOTTO
			5R.M20.449

ITEM NO.	SALES NO.	DESCRIPTION
1	P449	"NITO II" SPRAY GUN (Female G1/2")
2	P074	FLAT GASKET 1/2" Ø18,5x11 sp.2mm
3	P206	JS SEEGER-RING (HEAVY DUTY) DIN 472
4	P203	90° COUPLING + CHECK VALVE
5	P030	CHECK VALVE DW15/DN10
6	P333	BUSHING+O-RINGS
7	P273	PLATE WITH SPRING AND PAWL
8	P161	O-Ring 114 (Ø11,11x1,78mm) EP70P.A PEROX
9	P223	M15-M20 REEL SPRING
10	P387	M15-20 ROLLER REPAIR KIT
11	F134	NPS10 x 20m HOSE REPLACEMENT KIT



PRODUCT COMPLIANCE:

2006/42/EC
CE n. 1907/2006 Regulations
Directive 2002/95/CE; 2018/851SCIP

TITLE / DESCRIZIONE	DRN / DIS	CHD / VER	APPR
MAXIReel. Automatic, wall mount, swivel hose reel with 20m (NPS 10), Hototal EPDM retractable hose. Heavy duty "NITO II" COMBI spray gun with adjustable flow. G1/2" male inlet with built in check valve. AISI 304 stainless steel case and wall bracket.	E.Artini		
	SCALE / SCALA	1:12	DATE / DATA
This drawing contains proprietary information which is the property of KLARCO S.R.L. without whose written permission it may not be copied, shown or handed to a third party or otherwise used	NUMBER / CODICE DIS.	MODEL / PRODOTTO	
		5R.M20.449	

Questo disegno contiene informazioni di proprietà di KLARCO S.R.L. e senza la sua autorizzazione scritta non può essere copiato, mostrato o ceduto a terzi o in qualsiasi altro modo usato