

PRODUCT COMPLIANCE:

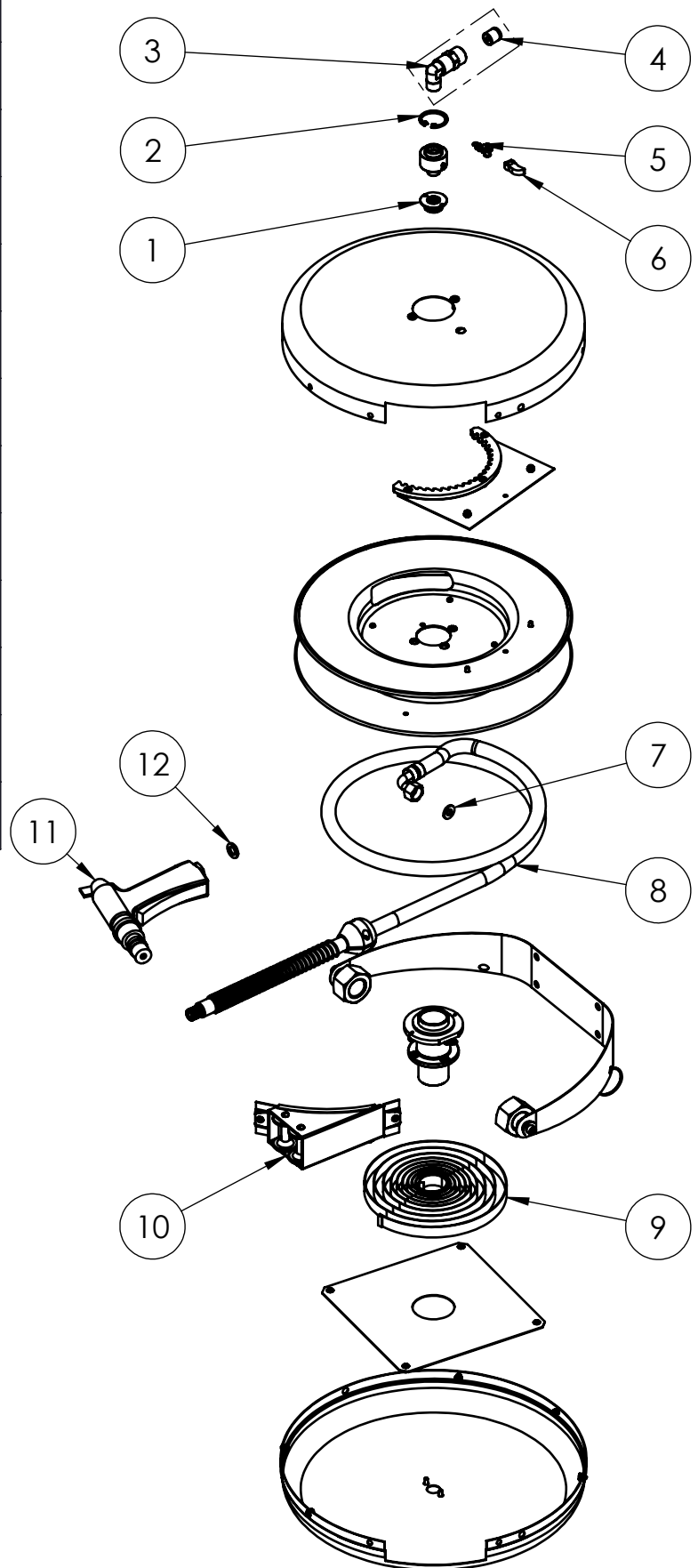
ROHS 2002/95/CE;
REACH 1907/2006;
2006/42/EC;

ONLY FO HOSE:

FDA

TITLE / DESCRIZIONE	DRN / DIS	CHD / VER	APPR
MIDIReel. Round automatic wall mount swivel hose reel, with 6m (NPS10) HOTOTAL EPDM retractable hose. Heavy duty NITO I COMBI spray gun with adjustable flow. G1/2" male inlet with built in check valve. AISI 304 stainless steel case and wall bracket.	E.Artni		
	SCALE / SCALA	DATE / DATA	SHEET / PAG
	1:8	17/06/22	1 of 2
	NUMBER / CODICE DIS.	MODEL / PRODOTTO	
		5R.M6T.448	

ITEM NO.	SALES NO.	DESCRIPTION
1	P335	BUSHING + O-RING
2	P206	JS SEEGER-RING (HEAVY DUTY) DIN 472
3	P203	90° COUPLING + CHECK VALVE
4	P030	CHECK VALVE DW15/DN10
5	P211	RATCHET SPRING
6	P171	RATCHET
7	P327	FLAT GASKET 3/8" Ø14x8sp.2mm
8	F137	NPS10 x 6m HOTOTAL EPDM Hose Replacement Kit
9	P164	M6 REEL SPRING
10	P642	Complete Roller Repair Kit
11	P448	NITO1 w.Female G1/2" fitting
12	P074	FLAT GASKET 1/2" Ø18,5x11 sp.2mm



PRODUCT COMPLIANCE:

ROHS 2002/95/CE;
REACH 1907/2006;
2006/42/EC;

ONLY FO HOSE:

FDA

TITLE / DESCRIZIONE	DRN / DIS	CHD / VER	APPR
MIDIReel. Round automatic wall mount swivel hose reel, with 6m (NPS10) HOTOTAL EPDM retractable hose. Heavy duty NITO 1 COMBI spray gun with adjustable flow. G1/2" male inlet with built in check valve. AISI 304 stainless steel case and wall bracket.	E.Artini		
	SCALE / SCALA 1:8	DATE / DATA 17/06/22	SHEET / PAG 2 of 2
This drawing contains proprietary information which is the property of KLARCO S.R.L. without whose written permission it may not be copied, shown or handed to a third party or otherwise used	Questo disegno contiene informazioni di proprietà di KLARCO S.R.L. e senza la sua autorizzazione scritta non può essere copiato, mostrato o ceduto a terzi o in qualsiasi altro modo usato	NUMBER / CODICE DIS.	MODEL / PRODOTTO 5R.M6T.448