



## GENERAL FEATURES

- Rack size **50x50 cm**
- Gross weight: 69,5 Kg
- Washing cycles / racks/hour:  
90"-120"-180"-9' / 40-30-20-7
- Top and bottom wash/rinse arm
- Wash pump: 550 W
- Boiler capacity: 5,5 litri
- Tank capacity: 20 litri
- Boiler heating element: 6,0 kW
- Tank heating element: 2,4 kW
- Water quantity per cycle: 2 liters
- Electronic controls with LCD display
- Useful washing height: 350 mm
- Magnetic door microswitch
- Automatic water filling
- Double electric detergent and rinse dispenser
- Hot rinse
- Thermostop function
- PRS system (Atmospheric boiler+Break tank)
- Green function for energy saving
- Automatic end-of-day self-cleaning water tank
- Washing pump with Soft-Start

## FILTRATION

- Plastic wash pump filter, easily removable

## BODY

- AISI 304 stainless steel Body
- Partial double skinned body
- Preformed rack guides
- Preformed wash tank
- Double skinned door
- Door handle in s/s
- Wash/rinse arms in s/s, easily removable
- Boiler in s/s AISI 316
- PVC protection rear the bottom front panel

## EQUIPMENT

- 1 glass rack 50x50 cm
- 1 plates rack 50x50 cm (12/18 plates)
- 1 cutlery small basket
- 1 inlet hose (length 2 mt)
- 1 drain hose (length 2,5 mt)

## OPTIONAL

- Drain pump
- Cold rinse
- 60Hz version
- Hot water filling
- HD version (P.Tot. 8,95 kW, solo in 380-415V3N ~)
- Kit surfaces filters
- Kit 4 high feet

## ACCESSORIES FOR THE WATER TREATMENT

- Internal water softener ("S" version)

## ACCESSORIES

- Special racks
- S/s supporting stand h. 550 mm for basket

## INSTALLATION

- Use the screws of the feet and a spirit level to ensure that the machine is levelled

## MAIN POWER SUPPLY

- The voltage of main power supply must be compatible with the rated voltage
- The machine must be connected to a suitable earth (ground) system
- Connect the machine power socket to the multi-pole wall switch provided

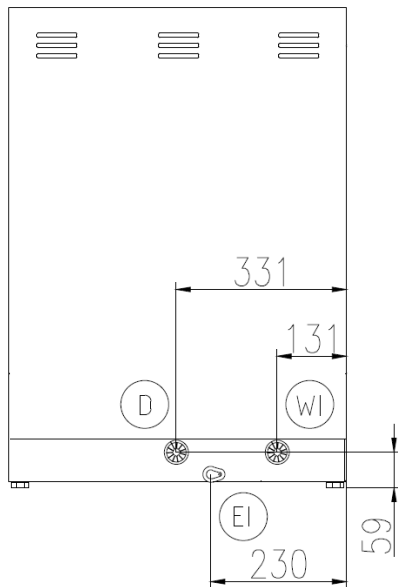
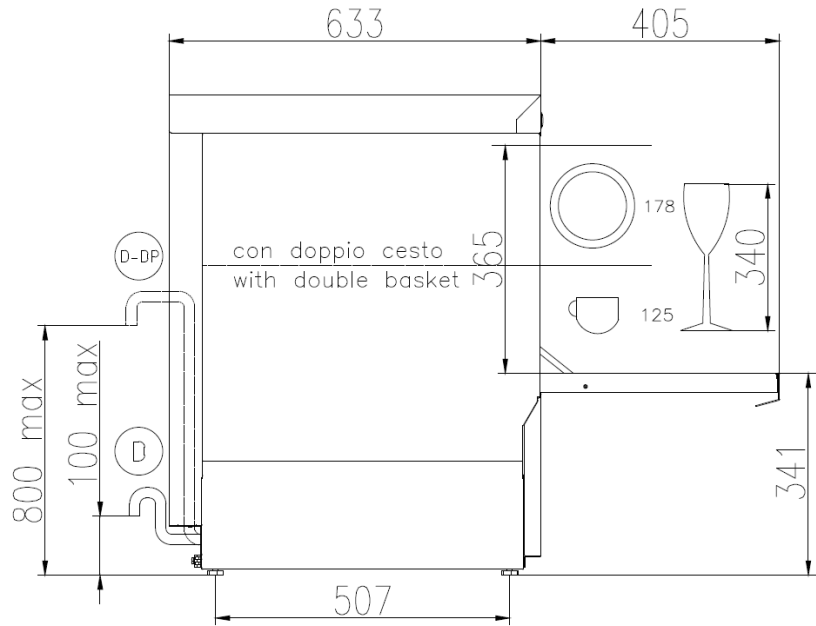
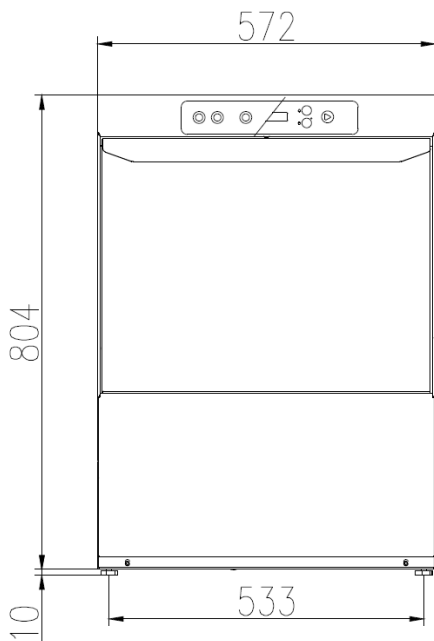
## WATER SUPPLY CONNECTION

- A water softener must be installed if the water is hard
- The water pressure must be between 0.1MPa (1 bar), and, 0.5MPa (5 bar)
- The temperature of the water-supply must be between 10°C to 50°C

## TECHNICAL SPECIFICATIONS

- Voltage: **380-415V3N/ 220-240V3/ 220-240V~ 50 Hz**
- Total power: **6,55 kW**
- Amperage: **9 A / 17 A / 28 A**
- Power cord supply size: **5x2,5/ 3x 4mmq**

## AF 50.35<sup>E</sup> PRS



- (EI) CAVO DI ALIMENTAZIONE  
POWER CORD SUPPLY  
CABLE D'ALIMENTATION  
CABLE DE ALIMENTACION
- (WI) CANNA DI CARICO G 3/4 L=2000 mm  
G 3/4 INLET HOSE L=2000 mm  
TUYAU D'ALIMENTATION G 3/4" L=2000 mm  
TUBO DE ALIMENTACION G 3/4" L=2000 mm
- (D) TUBO DI SCARICO ø 29 mm L=2500 mm  
DRAIN HOSE ø 29 mm L=2500 mm  
TUYAU DE VIDANGE ø 29 mm L=2500 mm  
TUBO DE DESAGUE ø 29 mm L=2500 mm
- (D-DP) TUBO DI SCARICO ø 29 mm L=2500 mm (CON POMPA SCARICO)  
DRAIN HOSE ø 29 mm L=2500 mm (WITH DRAIN PUMP)  
TUYAU DE VIDANGE ø 29 mm L=2500 mm (AVEC POMPE DE VIDANGE)  
TUBO DE DESAGUE ø 29 mm L=2500 mm (CON POMPA DE DESAGUE)

	Min 10°C-MAX 50°C
	Min 10°C-MAX 25°C with ENERGY RECOVERY
	200÷500kPa(2÷5 Bar)
	100÷500kPa(1÷5 Bar) with ATMOSPHERIC BOILER
	HARDNESS 5÷20*f-2.8÷11*d