

0P.P005.00.00

0P.P664

0P.P090.00.00

0P.P091.00.00

0P.P610

0P.P092.00.00

0P.C07/B

0P.P499/N

0P.P015.00.00

0P.P592

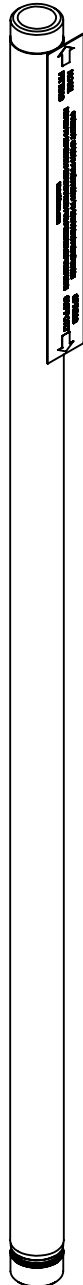
0P.P072.00.00

SALES NO.	DESCRIPTION
0P.P005.00.00	Spring for EUROP/STYL pre-rinse units. GREY coating with BLACK spring support
0P.P664	L.110cm F1/2"xF1/2" FLEXIBLE HOSE
0P.P090.00.00	STYL Spring Support - BLACK
0P.P091.00.00	STYL Spray Gun Hook - BLACK
0P.P092.00.00	STYL Wall Bracket, L.115 mm - BLACK
0P.P610	FLAT GASKET 1/2" Ø18,5x11 sp.3mm
0P.P499/N	Spray Valve for STYL Pre-Rinse Units - BLACK
0P.P015.00.00	Aerator F22x1 for Ø20 spout
0P.P072.00.00	O-Ring 119 (Ø 15,08 x 2,62mm) EPDM 70
0P.P592	Swivel sleeve
0P.C07/B	STYL 20x300x105 J-shaped spout

TITLE / DESCRIZIONE

Pre-Rinse Unit, spray valve, supports, and swivel nozzle SPARE PARTS

SALES NO.	DESCRIPTION
0P.P388.00.00	O-RING 18,00x1,50 EP70P.A (4270) PEROX

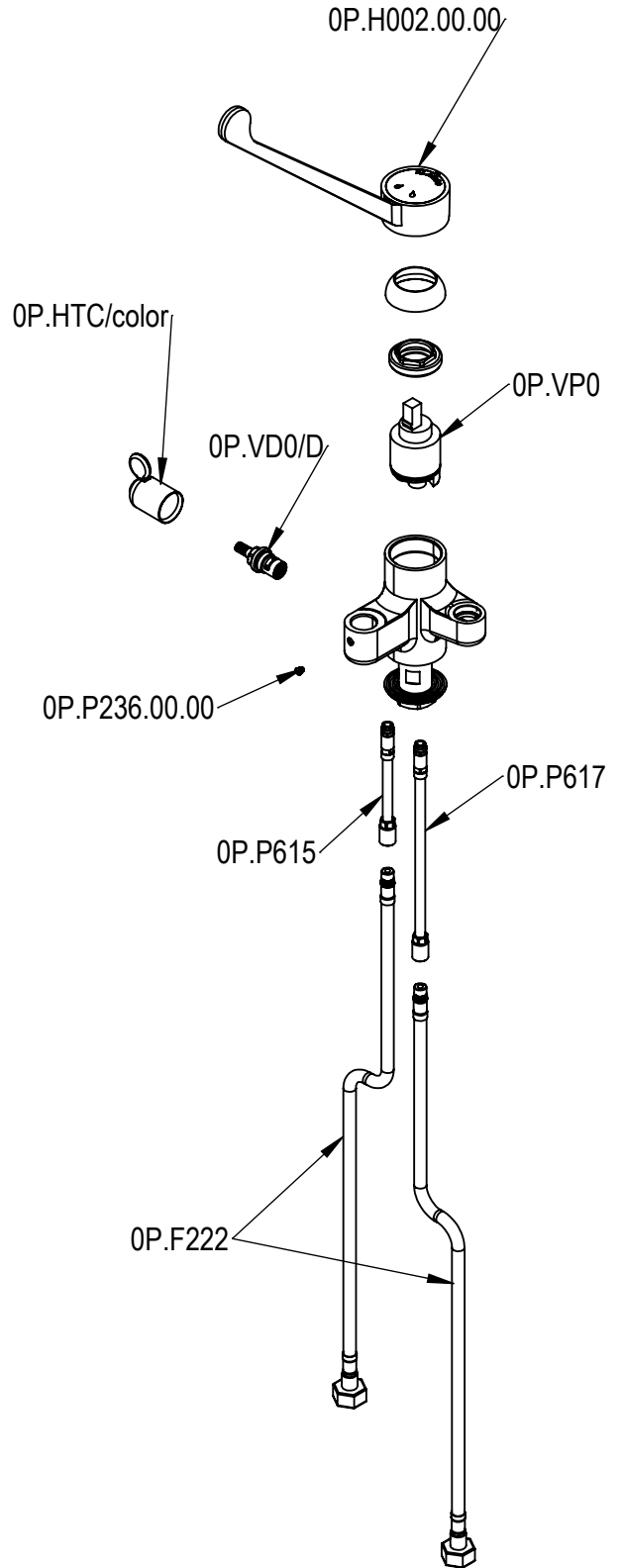


0P.P388.00.00

TITLE / DESCRIZIONE

0P.P001.00.00 Pre-rinse unit S/S riser pipe, L.650mm, threaded M1/2"-M1/2", with O-Rings -
SPARE PARTS

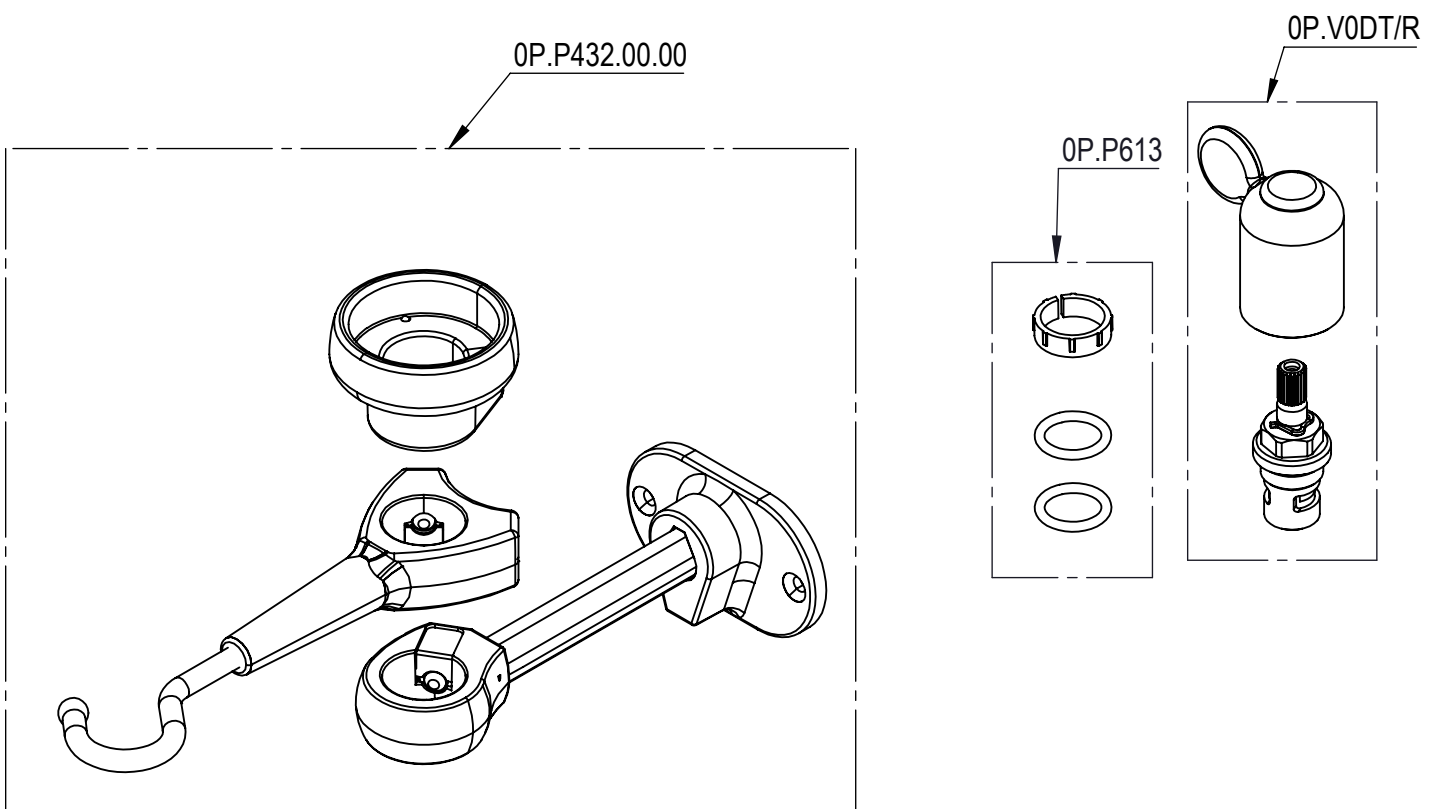
SALES NO.	DESCRIPTION
0P.H002.00.00	GREY Sanitary lever, L.220mm - with logo
0P.HTC/color	TOP handle (specify the color B or R)
0P.VD0/D	3/8" CERAMIC HEADWORK0 (RH)
0P.VP0	Cartridge Ø40mm for PISA handle
0P.P236.00.00	Spout Screw (short)
0P.P617	Copper Pipe L. 210mm with O-R (for flex. Hose)
0P.P615	Copper Pipe L. 115mm with O-R (for flex. Hose)
0P.F222	S/Steel flex.hose L. 45cm 10x1T x FV1/2 with check valve (DVGW)



TITLE / DESCRIZIONE

BODY FAUCET, INLETS AND LEVER SPARE PARTS

SALES NO.	DESCRIPTION
0P.P432.00.00	Wall-bracket (L.115mm), Spray-Gun Hook and Spring Support for STYL Pre-RInse Unit (BLACK)
0P.V0DT/R	KIT: 3/8" ceramic headwork (right) + TOP handle (RED index)
0P.P613	Kit O-Rings for EUROP/STYL spout



TITLE / DESCRIZIONE
REPLACEMENT KIT

This drawing contains proprietary information which is the property of KLARCO S.R.L. without whose written permission it may not be copied, shown or handed to a third party or otherwise used

Questo disegno contiene informazioni di proprietà di KLARCO S.R.L. e senza la sua autorizzazione scritta non può essere copiato, mostrato o ceduto a terzi o in qualsiasi altro modo usato