

Support ring
for inlet pipe

AISI 304 stainless steel
case & wall bracket

NPS10 x 6m
Hototal EPDM
rubber hose

G1/2" male inlet
for water entry (left side)
with built in check valve

Heavy duty
"NEW/F" spray valve

PRODUCT COMPLIANCE:

ROHS 2002/95/CE;
REACH 1907/2006;
2006/42/EC;

ONLY FOR HOSE:

FDA

TITLE / DESCRIZIONE

MIDIReel. Rounded, automatic, wall mount swivel hose reel, with 6m (NPS10), HOTOTAL EPDM retractable hose. Female, black, "NEW" spray valve. AISI 304 stainless steel case and wall bracket.

DRN / DIS

E.Artni

CHD / VER

APPR

SCALE /
SCALA

1:8

DATE /
DATA

22/06/22

SHEET / PAG
1 of 2

This drawing contains proprietary information which is the property of KLARCO S.R.L. without whose written permission it may not be copied, shown or handed to a third party or otherwise used

Questo disegno contiene informazioni di proprietà di KLARCO S.R.L. e senza la sua autorizzazione scritta non può essere copiato, mostrato o ceduto a terzi o in qualsiasi altro modo usato

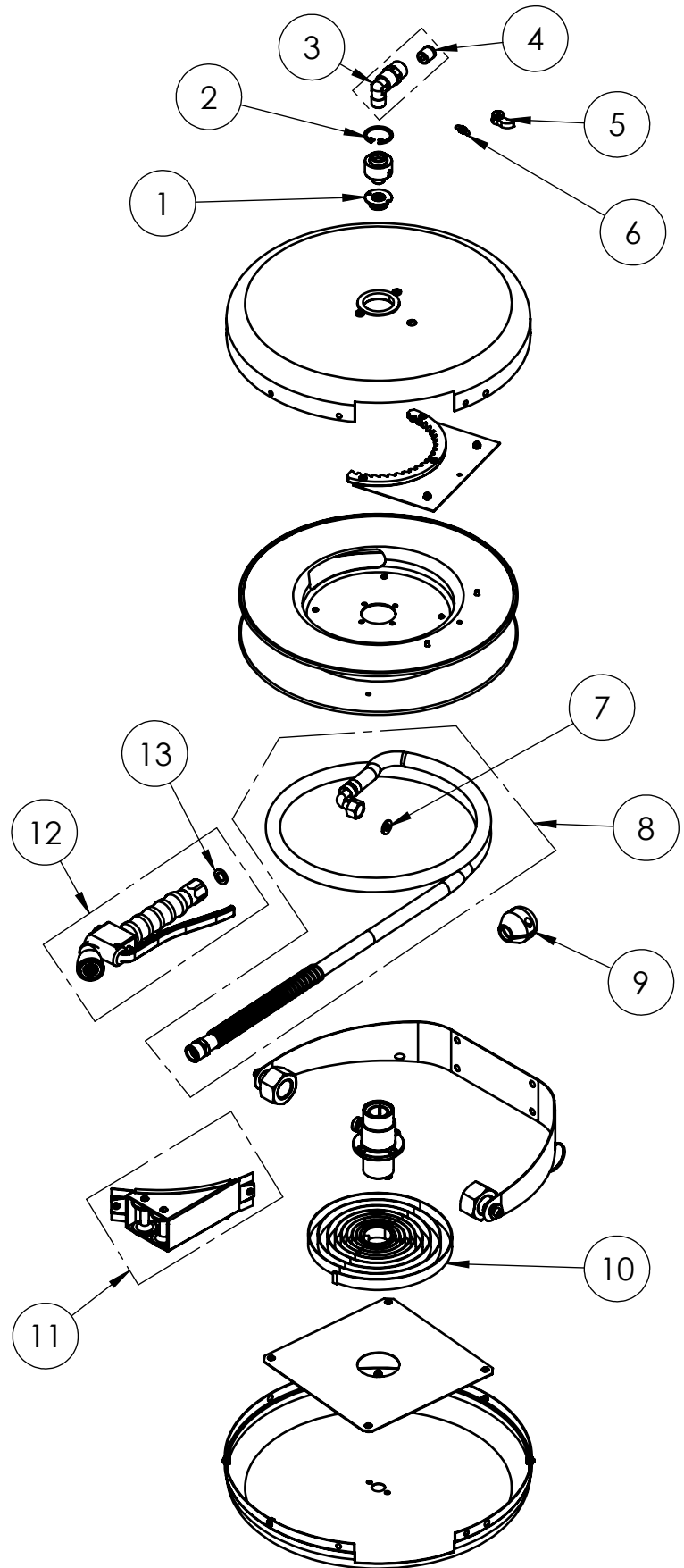
NUMBER / CODICE DIS.

MODEL / PRODOTTO

5R.M6T.041

A4V

ITEM NO.	SALES NO.	DESCRIPTION
1	P335	BUSHING + O-RING
2	P206	JS SEEGER-RING (HEAVY DUTY) DIN 472
3	P203	90° COUPLING + CHECK VALVE
4	P030	CHECK VALVE DW15/DN10
5	P171	RATCHET
6	P211	RATCHET SPRING
7	P327	FLAT GASKET 3/8" Ø14x8sp.2mm
8	F137	NPS10 x 6m Hototal EPDM hose replacement kit
9	P317	HOSE CLAMPING
10	P164	M6 REEL SPRING
11	P642	Complete roller repair kit
12	P041	"NEW/F" black spray valve
13	P074	FLAT GASKET 1/2" Ø18,5x11 sp.2mm



PRODUCT COMPLIANCE:

ROHS 2002/95/CE;
REACH 1907/2006;
2006/42/EC;

ONLY FOR HOSE:

FDA

TITLE / DESCRIZIONE	DRN / DIS	CHD / VER	APPR
MIDIReel. Rounded, automatic, wall mount swivel hose reel, with 6m (NPS10), HOTOTAL EPDM retractable hose. Female, black, "NEW" spray valve. AISI 304 stainless steel case and wall bracket.	E.Artini		
	SCALE / SCALA 1:8	DATE / DATA 22/06/22	SHEET / PAG 2 of 2
This drawing contains proprietary information which is the property of KLARCO S.R.L. without whose written permission it may not be copied, shown or handed to a third party or otherwise used	Questo disegno contiene informazioni di proprietà di KLARCO S.R.L. e senza la sua autorizzazione scritta non può essere copiato, mostrato o ceduto a terzi o in qualsiasi altro modo usato	NUMBER / CODICE DIS.	MODEL / PRODOTTO 5R.M6T.041